

HILUX VIGO

New Hilux Vigo Double Cab



Commonrail Technology

The unsurpassed power and fuel efficiency that redefines today's engine



1. **Multi - Reflector halogen headlamps** provide wide - beam and long - distance lighting for optimum road safety.
2. **New - design front bumper** in rugged style. Front grille in chrome for SUV style luxury.
3. **Front Foglamps** in sporty round shape compliment exterior frontal design and increase visibility.
4. **Side steps** make it easier to get on- off and road design.
5. **Rear bumper** in chrome steel is uniquely cool.
6. Supersized **Crystal Tower rear lamps** are 3 - dimensional and trendy in appearance as well as eye - catching from the distance.



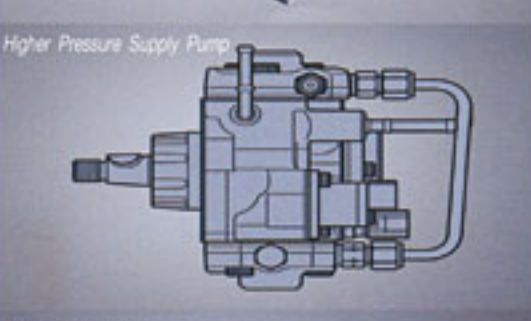
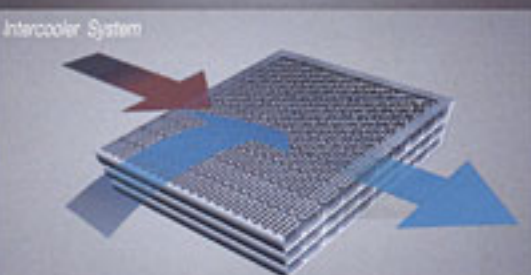
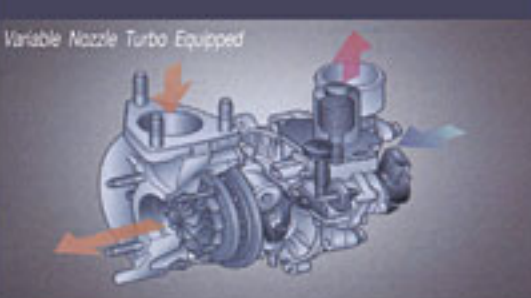
Alloy wheels and New sized tires for the ultimate road performance. 15" for Double Cab 4x4 (4-Wheel Drive) and Double Cab PreRunner 15" for Double Cab 4x2 (2-Wheel Drive)



Outside Rear View Mirror with Chrome, electric powered for your convenience.



Spacious and comfortable cabin with ergonomic backrests to make long rides pleasurable.



Double-Cab Specifications	Car Code	TLVGT-10	TLVGT-09	TLVGT-08	TLVGT-07	TLVGT-06	TLVGT-05	TLVGT-04
		4 x 4 (4-Wheel Drive)				4 x 2 (2-Wheel Drive)		2 x 4 PreRunner
		3.0 G Auto KUN26L-PRPSYM	3.0 G KUN26L-PRMSYM	2.5 DLX KUN25L-PRMDH#9	2.5 STD KUN25L-PRMDH#4	2.5 E KUN15L-PRMSYM	2.5 STD KUN15L-PRMDYM	2.5 G KUN35L-PRMSHM
Dimensions & Weight								
Overall	Length	mm		5,255		5,255		5,255
	Width	mm		1,835		1,760		1,835
	Height	mm		1,810		1,695		1,810
Wheelbase	mm		3,085		3,085		3,065	
Tread	Front	mm		1,540		1,510		1,540
	Rear	mm		1,540		1,510		1,540
Ground Clearance	mm		181		181		212	
Desk Space	Length	mm		1,520		1,520		1,520
	Width	mm		1,515		1,515		1,515
	Height	mm		450		450		450
Interior Space	Length	mm		1,765		1,765		1,765
	Width	mm		1,475		1,475		1,475
	Height	mm		1,200		1,200		1,200
Curb Weight	kg	1,875	1,850	1,800	1,770	1,650	1,625	1,725
Engine								
Engine Model	1KD-FTV		2KD-FTV		2KD-FTV		2KD-FTV	
Engine Type	4 Cylinders, In-Line DOHC 16 Valve VN Turbo Intercooler		4 Cylinders, In-Line DOHC 16 Valve Turbo (High)		4 Cylinders, In-Line DOHC 16 Valve Turbo (Standard)		4 Cylinders, In-Line DOHC 16 Valve Turbo (High)	
Displacement	cm ³	2,982		2,494		2,494		2,494
Bore x Stroke	mm	96.0 x 103.0		92.0 x 93.8		92.0 x 93.8		92.0 x 93.8
Compression Ratio		17.9 : 1		18.5 : 1		18.5 : 1		18.5 : 1
Maximum Output (SAE - Net)	kw/rpm	120 (163) / 3,400		75 (102) / 3,600		75 (102) / 3,600		75 (102) / 3,600
Maximum Torque	Nm/rpm	343 / 1,400 - 3,200		260 / 1,600 - 2,400		200 / 1,400 - 3,200		260 / 1,600 - 2,400
Fuel System	Commonrail Direct Injection (D-4D)							
Fuel Tank Capacity	L	76						
Chassis								
Transmission Type	Gate - Type, 4-Speed Automatic with ECT	5-Speed Manual						
Gear Ratio	1 st	2,804		4,313		3,928		4,313
	2 nd	1,531		2,330		2,333		2,330
	3 rd	1,000		1,436		1,451		1,436
	4 th	0.705		1,000		1,000		1,000
	5 th	-		0.838		0.798		0.838
	Reverse	2,393		4,200		4,743		4,220
Differential Gear Ratio		3,727		3,583		3,909		4,100
Suspension	Front	Doble Wishbone with Coil Spring & Stabilizer and A.D.D.				Double Wishbone with Coil Spring & Stabilizer		
	Rear	Leaf Spring and Shock Absorber						
Brake Type	Front	Ventilated Disc Brake 15"						
	Rear	Leading Tralling Drum Brake						
Steering	Rack & Pinion							
Minimum Turning Radius	m	6.2				5.9		6.2
Power Steering								
Tire		255 / 70R15C		255 / 70R15C		215 / 65R16C		205 / 70R15C
Wheel		Alloy 7 J x 15		Steel Ornament 7J x 15		Alloy 6J x 16		Steel 6J x 15
Standard Equipment								
Exterior								
Front Bumper	Moulding / Body Color		Moulding / Black Color		Moulding / Body Color		Moulding / Body Color	
Front Grille	Chrome		Black Color		Chrome		Black Color	
Scoop	Multi - Reflector Halogen							
Headlamps	Multi - Reflector Halogen							
Outside Rear View Mirror	Chrome with Electric control		Black Color		Chrome with Electric control		Black Color	
Door Outside Handle : Grip Type	Chrome		Black Color		Chrome		Black Color	

Ready for every road challenge with twice the comfort.
 Luxuriate in another class of comfort with spacious cabin and sedan – inspired utility features
 Metallic instrument panels.



1. An adjustable 4 – Spoke Rock & Pinch with Power Steering for ergonomic comfort.



2. Illuminating Optitron gauges offer brightness adjustability and better readability.

- 105 – 8 1. Fuel consumption during journey
- 124 – 8 2. Average fuel consumption
- 800 – 8 3. Average speed
- 88 – 8 4. Distance
- 1232 – 8 5. Journey time
- 4 – 8 6. Compass
- 21 – 8 7. Outside temperature

3. Digital clock with Multi Information Display (MID)



Metallic side control panels add sedan – inspired luxury. Bottle holders and Door Pockets at all 4 doors for easy reach. 12 Multi-purpose storage space maximizes every inch of the vehicle.



Bottle holders and Door Pockets at all 4 doors for easy reach.



12 Multi-purpose storage space maximizes every inch of the vehicle.



Exclusively designed convenient rear seats storage space.



Height adjustable driver's seat for better visibility and reduced long-journey discomfort.



Front ventilated disc brake. 15" Size reassures you with every brake.



Green laminated with top shade rolls together when shattered to minimize injury.



Shock-absorbing door structure to reduce injury in case of accident.



Side-door impact beams for strengthened safety in 2' doors.

		Intermittent Time Adjustable	Intermittent	Intermittent Time Adjustable	Intermittent	Intermittent Time Adjustable
Interior						
Meter	Optitron					
	Trip Meter			Digital		
Multi Information Display (MID)						
4WD Indicator						
Warning System						
	Fuel Level Warning					
	Fuel Sedimentator Warning					
	Light Remind Warning					
	Key Remind Warning					
	Door Ajar Warning					
Digital Clock						
Lamp						
	Map Lamp					
	Room Lamp					
	Ignition Key Illumination					
Ashtray						
		With Illumination	Without Illumination	With Illumination	Without Illumination	With Illumination
Inside Rear View Mirror						
Steering Wheel						
	Tilt	ECE Type Non - Glare				
	Type	4- Spoke Type Urethane with MID Switch	4-Spoke Type Urethane	3-Spoke Type Urethane	4-Spoke Type Urethane	3-Spoke Type Urethane
						4- Spoke Type Urethane with MID Switch
Parking Brake						
4WD Transfer Lever and Knob						
Sun Visor						
	Driver	With Card Holder				
	Passenger	With Mirror and Lid	Without Mirror	With Mirror and Lid	Without Mirror	with Mirror and Lid
Power Window						
		With Auto Down at Driver Seat	With Auto Down at Driver Seat	With Auto Down at Driver Seat		With Auto Down at Driver Seat
Power Door Lock						
Remote Control Key						
Theft Deterrent System (TDS)						
Auxiliary Power Supply						
		12 Volt x 1		12 Volt x 1		12 Volt x 1
Door Inside Handle						
Door Trim						
	Type	Interior Color Moulding				
	Material	Fabric	Semi - Fabric	Fabric	Semi - Fabric	Fabric
Seat						
	Material	Fabric	Semi - Fabric	Fabric	Semi - Fabric	Fabric
Front Seat						
	Type	Separate	For 3 Persons		Separate	
	Slide					
	Reclining		60/40			
	Vertical Adjuster					
	Headrest					
Rear Seat						
	Type	3 Tip Up				
	Headrest	Fabric	Semi - Fabric	Fabric	Semi - Fabric	Fabric
Fuel Lid Opener						
Pocket						
	Center Console	With Lid	Without Lid	With Lid	Without Lid	With Lid
	Instrument Panel Upper Box					
	Glove Box	With Key				
	Auxiliary Box					
	Door Pocket	Front / Rear with Bottle Holder				
	Cup Holder	Front Console x 2 / Center Console x 2 / Rear Console x 2	Front Console x 2 / Center Console x 2	Front Console x 2 / Center Console x 2	Front Console x 2 / Center Console x 2	Front Console x 2 / Center Console x 2
Footrest						
Safety System						
Active Safety						
Anti - lock Braking System (ABS)						
LED High - Mount Stop Lamp						
Passive Safety						
GOA Body Structure						
Side Door Beam						
Windshield						
		Green Laminated with Top Shade	Green Laminated	Green Laminated		Green Laminated with Top Shade
SRS Airbag						
		Driver and Passenger		Driver		Driver and Passenger
Seatbelts						
	Front	ELR x 2	ELR x 2 / NR x 1	ELR x 2		
	Rear		ELR x 2 / NR x 2			
	Adjustable		Driver and Passenger			
Door Frame Safety Structure						
Collapsible Steering Column						
Anti - Intrusion Brake Pedal						
Automatic Fuel Cut - off Valve						
Option						
Air Conditioner						
Heater						
Rear Bumper						
		Chrome	Body Color	Chrome		Chrome
Over Fender						
		Body Color				Body Color
Side Step						
Built - In Foglamps						



IMPORT - EXPORT - SUV - CARS
 101/107 Moo 20 Phahonyothin Road, Klong Nueng, Klong Luang Pathumthani 12120 THAILAND
TEL. + 66 081-889-9018, + 66 081-555-0815