



TLVGTMDV-01

Accessories & Customize  
Catalogue



**HILUX**  
SPECIFICATION OF

**DRY VAN BODY SANDWICH TYPE FOR PICK UP**

**FLOOR**

- Cross Members** 75x50 mm.and 2.3 mm.thickness steel, spaced at every 450 mm.( max. ) space of body length
- Sub frame** 50x50 mm.and 3.2 mm.thickness steel
- Base inner** 0.8 mm. thickness Steel EG.overlayed on 15 mm.thickness plywood
- Sub floor** 0.3 mm.thickness Aluminium sheet

**ROOF**

- Roof panel** Panel is made of sandwich panel covered with 0.8 mm.thickness flat aluminium sheet
- Roof lining** 0.8 mm. thickness flat aluminium sheet

**SIDE WALLS**

- Side panels** Panel is made of sandwich panel covered with 0.8 mm.thickness flat aluminium sheet
- Side lining** 0.8 mm. thickness flat aluminium sheet

**FRONT WALL**

- Front panels** Panel is made of sandwich panel covered with 0.8 mm.thickness flat aluminium sheet
- Front lining** 0.8 mm. thickness flat aluminium sheet

**REAR WALL**

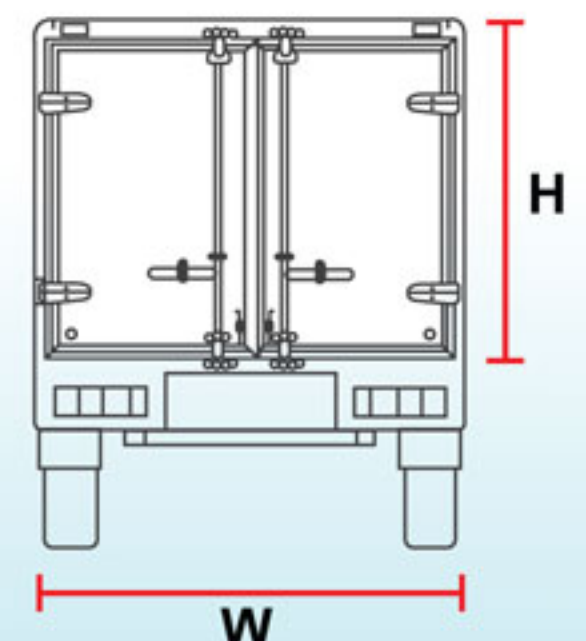
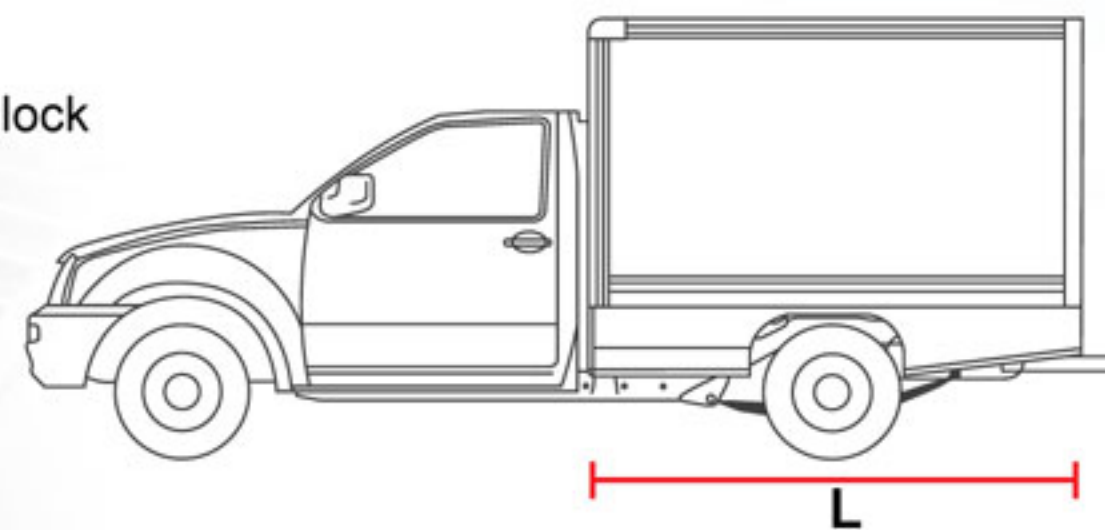
- Door panels** 15 mm.thickness plywood glued with 0.8 mm. thickness flat aluminium sheet
- Door frame** 1.6 mm.thickness Steel
- Gasket** Molded polyvinyl chloride for outer gaskets and inner gaskets
- Lock rod** Diameter : 27 mm., thickness : 2.3 mm.( steel pipe ) and hole key lock
- Cam lock** Steel casting

**INSULATION**

- Foaming** Polystyrene faom, high density
- Insulation thickness** Front 30 mm. Side 30 mm. Roof 30 mm.

**DIMENSION BOX VAN :**

MODEL	TLVGT MDV-01	TLVGT MDV-02	TLVGT MDV-03
W	1660	1660	1660
L	2330	2330	2330
H	1200	1480	1800





### STANDARD ACCESSORIES

Room lamp	2
Room lamp swith ( install in body )	1
Rear step ( steel )	1
Fender ( steel )	1/side
Mud flap	1/side
Leaf spring ( addition )	2 pcs/side for LR and HR, 3pcs/side for Super SHR
Side skirt	1/side
body colour	White

## EXTERIOR DESIGN

Accessories & Customize  
Catalogue



**With Logo Design  
Make your More  
Advertising**